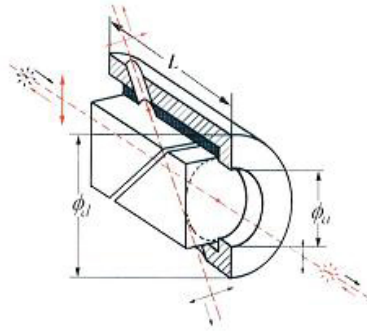


Glan Laser Polarizer



Glan Laser prism polarizer is made of two same birefringent material prisms that are assembled with an air space. The polarizer is a modification of the Glan Taylor type and is designed to have less reflection loss at the prism junction. The polarizer with two escape windows allow the rejected beam to escape out of the polarizer, which makes it more desirable for high energy lasers. The surface quality of these faces is relatively poor as compared to that of entrance and exit faces. No scratch dig surface quality specifications are assigned to these faces. The polarized field F1 and F2 of these is shown in the plot below.

Features:

Air-spaced

Close to Brewster's Angle Cutting.

High Polarization Purity.

Short Length.

Suitable for low to medium power online_ordering where the rejected beam is not required.

Specifications:

Material: α -BBO, Calcite or YVO₄

Wavelength Range: α -BBO: 200-3500nm, Calcite: 350-2300nm, YVO₄: 400-4000nm

Extinction Ratio: α -BBO: $<5 \times 10^{-6}$; Calcite: $<5 \times 10^{-5}$; YVO₄: $<5 \times 10^{-6}$

Parallelism: <1 arc Min.

Surface Quality: 20-10

Beam Deviation: <3 arc minutes

Wavefront Distortion: $\lambda/4@633\text{nm}$

Damage Threshold: $>500\text{MW}/\text{cm}^2$

Coating: Single layer MgF₂

Mount: Black Anodized Aluminium

P/N	Material	Lambda(nm)	Extinction Ratio	Angular Field(°)	C.A.	O.D.	L
71201	α -BBO	200-300	$<5 \times 10^{-6}$	>6.0	6	15	12
71202	α -BBO	200-300	$<5 \times 10^{-6}$	>6.0	8	25.4	15
71203	α -BBO	200-300	$<5 \times 10^{-6}$	>6.0	10	25.4	20
71204	α -BBO	200-300	$<5 \times 10^{-6}$	>6.0	15	30	34
71205	α -BBO	200-300	$<5 \times 10^{-6}$	>6.0	20	38	48.9
71206	α -BBO	300-700	$<5 \times 10^{-6}$	>6.0	6	15	12
71207	α -BBO	300-700	$<5 \times 10^{-6}$	>6.0	8	25.4	15
71208	α -BBO	300-700	$<5 \times 10^{-6}$	>6.0	10	25.4	20

P/N	Material	Lambda(nm)	Extinction Ratio	Angular Field(°)	C.A.	O.D.	L
71209	α-BBO	300-700	$<5 \times 10^{-6}$	>6.0	15	30	25
71210	α-BBO	300-700	$<5 \times 10^{-6}$	>6.0	20	38	34
71211	α-BBO	700-3000	$<5 \times 10^{-6}$	>6.0	6	15	12
71212	α-BBO	700-3000	$<5 \times 10^{-6}$	>6.0	8	25.4	15
71213	α-BBO	700-3000	$<5 \times 10^{-6}$	>6.0	10	25.4	20
71214	α-BBO	700-3000	$<5 \times 10^{-6}$	>6.0	15	30	25
71215	α-BBO	700-3000	$<5 \times 10^{-6}$	>6.0	20	38	34
71216	Calcite	350-2300	$<5 \times 10^{-5}$	>7.7	6	15	12
71217	Calcite	350-2300	$<5 \times 10^{-5}$	>7.7	8	25.4	15
71218	Calcite	350-2300	$<5 \times 10^{-5}$	>7.7	10	25.4	20
71219	Calcite	350-2300	$<5 \times 10^{-5}$	>7.7	15	30	25
71220	Calcite	350-2300	$<5 \times 10^{-5}$	>7.7	20	38	34
71221	YVO4	500-4000	$<5 \times 10^{-6}$	>6.5	6	15	15.5
71222	YVO4	500-4000	$<5 \times 10^{-6}$	>6.5	8	25.4	19
71223	YVO4	500-4000	$<5 \times 10^{-6}$	>6.5	10	25.4	22.5
71224	YVO4	500-4000	$<5 \times 10^{-6}$	>6.5	15	30	31

- Dimension unit:mm
- Other sizes and coatings are available upon request.