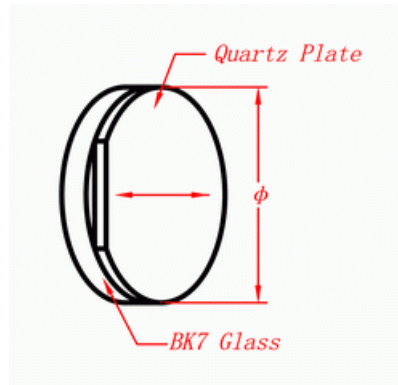


Cemented True Zero Order Waveplate



- Broad Spectral Bandwidth
- Wide Temperature Bandwidth
- Wide Angle Bandwidth
- Cemented By Epoxy

Recommend Wavelengths:

532nm,632.8nm,650nm,780nm,808nm,850nm,1064nm,1310nm & 1550nm.

Specification;

Material.....Crystal quartz+BK7 optical glass

Dimension Tolerance.....+0.0, -0.2 mm

Wavefront Distortion..... $\lambda/8$ @ 632.8 nm

Retardation Tolerance..... $<\lambda/500$

Wavelength Range.....400~2100 nm

Parallelism..... < 1 arc second

Surface Quality.....40-20

Coating.....Anti-reflecting coatings on both sides, $R<0.25\%$ @ λ ,AOI 0°

Damage Threshold..... $>0.25\text{J}/\text{cm}^2$,10ns,10Hz

P/N	Type	Φ	λ
70201	$\lambda/4$	12.70	532nm
70202	$\lambda/4$	25.40	532nm
70203	$\lambda/4$	12.70	632.8nm
70204	$\lambda/4$	25.40	632.8nm
70205	$\lambda/2$	12.70	532nm
70206	$\lambda/2$	25.40	532nm
70207	$\lambda/2$	12.70	632.8nm
70208	$\lambda/2$	25.40	632.8nm

- Demension unit:mm
- Other sizes and coatings are available upon request.